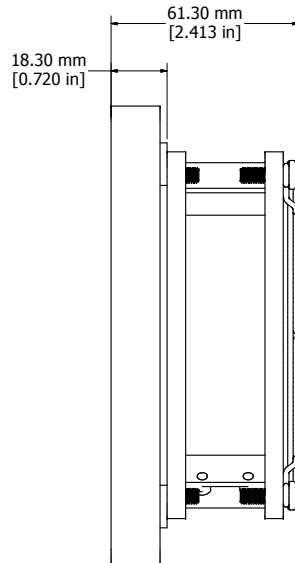
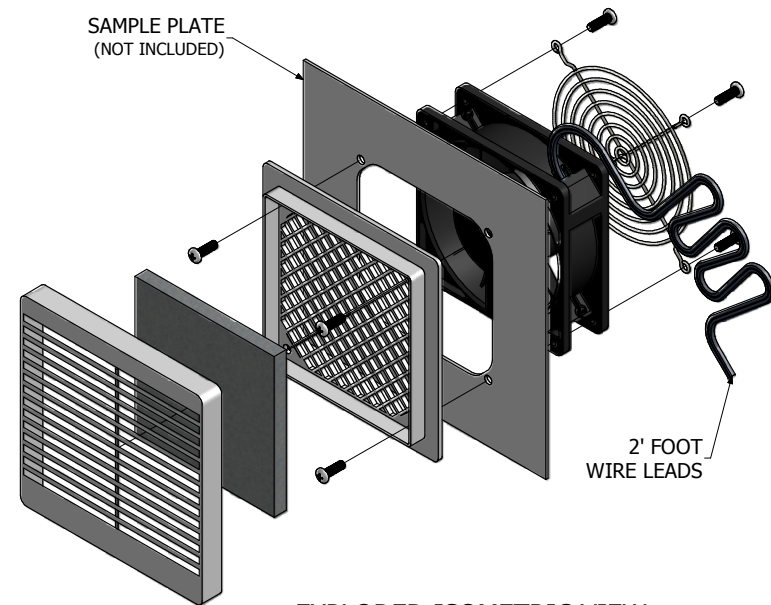


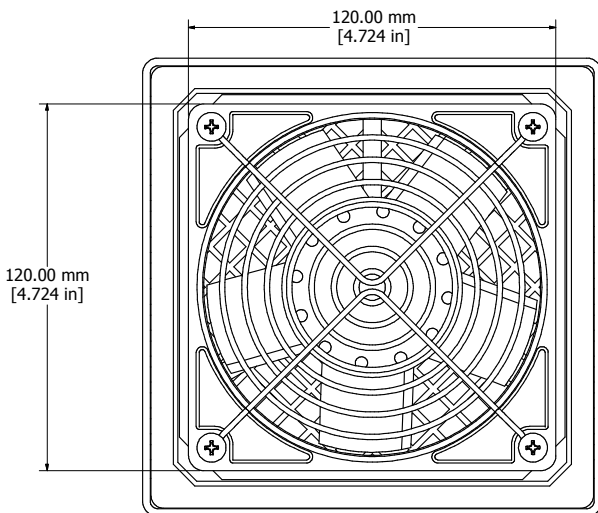
ASSEMBLY - VIEW FROM FRONT



ASSEMBLY - VIEW FROM SIDE



EXPLODED ISOMETRIC VIEW



ASSEMBLY - VIEW FROM BACK

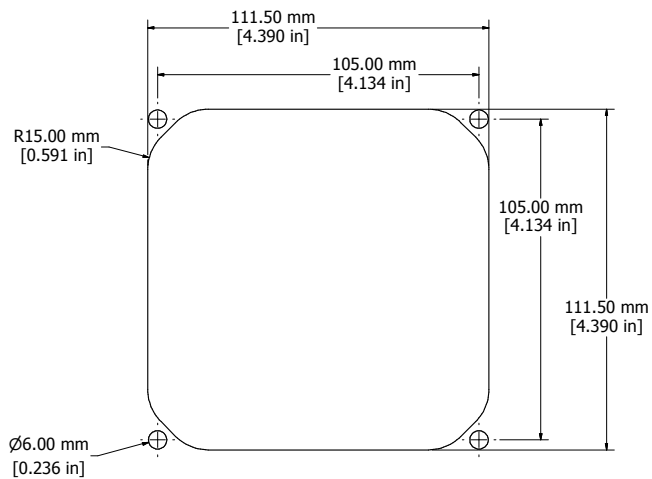


PLATE CUTOUT

<b>DNFF 120**115</b>
Finish - Front Screen - ABS Plastic - Back Panel - ABS Plastic
Rated - 115 VAC, 50/60 Hz, 0.19 Amps Free Flow Air Delivery - 105 CFM
<b>Colours</b>
DNFF120BK115 - Black DNFF120CG115 - Gray/Beige DNFF120GY115 - Gray DNFF120LG115 - Light Gray
<b>Hardware</b>
8 Screws - Panhead Self-tapping 10-32 x 1/2" 4 Speed Nuts



**HAMMOND  
MANUFACTURING™**

**DNFF120\*\*115**

www.hammondmfg.com